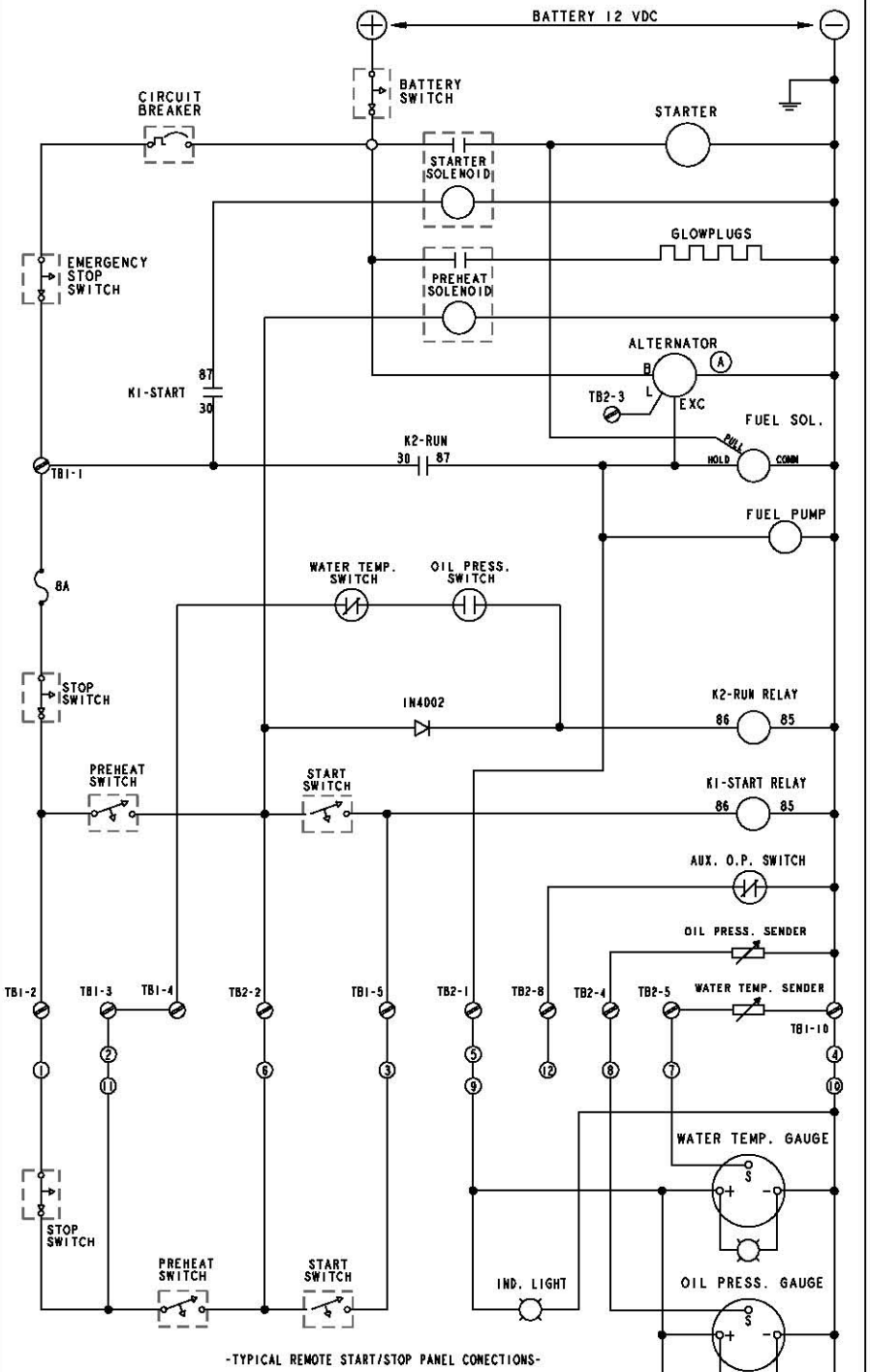
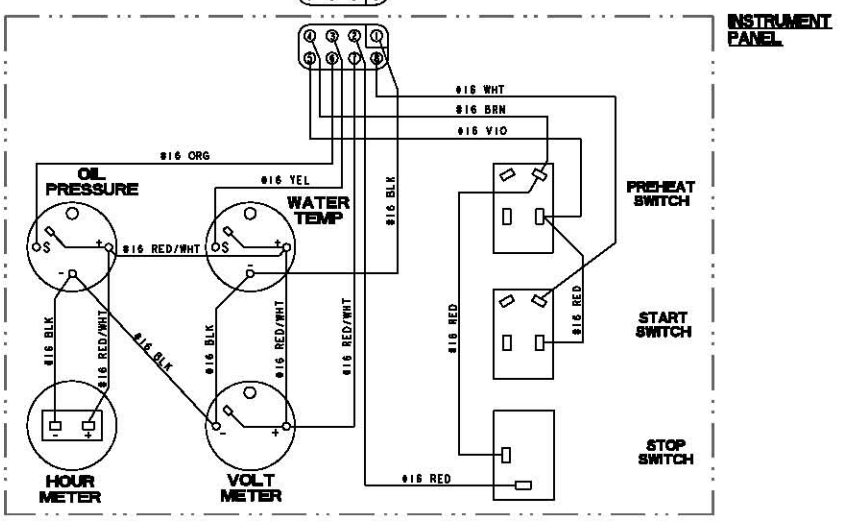
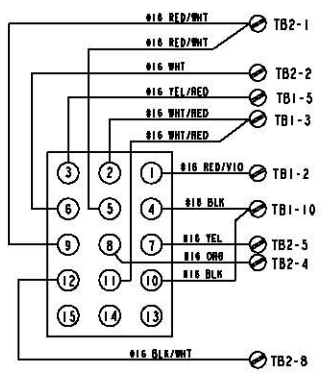


NOTE:  
1. REMOVE JUMPER WHEN CONNECTING A SECOND REMOTE PANEL.



NOTE:  
○ REMOTE CONNECTOR PINS

TOLERANCES		WESTERBEKE CORPORATION	
UNLESS OTHERWISE NOTED		AVON MA. 02322	
INCHES	MILLIMETERS	TITLE	
±.0005	±.0127	WIRING DIAGRAM/SCHEMATIC,	
±.0010	±.0254	7.6 BTDR - SRC	
±.0015	±.0381	DRAWN BY	
±.0020	±.0508	CHECKED BY	
±.0030	±.0762	DATE	
±.0040	±.1016	REV.	
±.0050	±.1270	E 44743	

ECO NO.	DATE	REV.	REVISION RECORD	AUTH.	DR. BY
4632	7/12	05	A	TSM	

4632 7/12 05 A UPDATED ALTERNATOR WIRING SCHEMATIC. WIRE #14 RED WAS #16 ORG. WIRE #12 VIO WAS #12 YEL/RED. WIRE #12 RED REROUTED FROM STARTER TO 20 AMP CIRCUIT BREAKER.